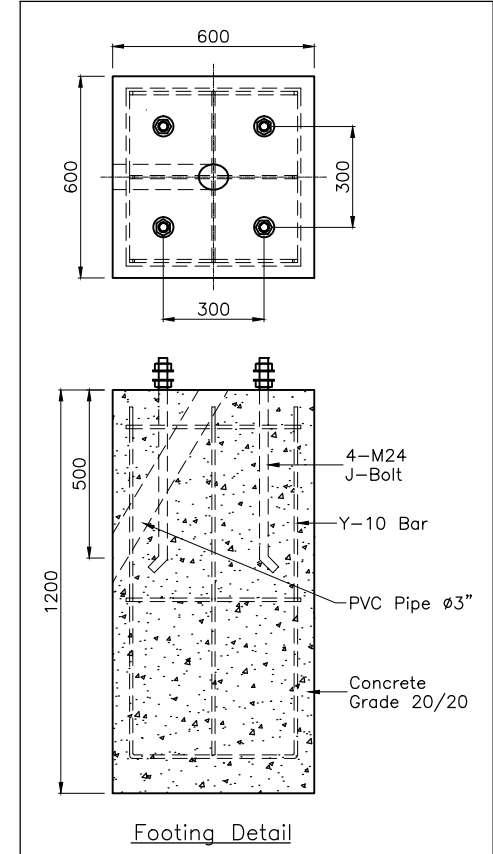
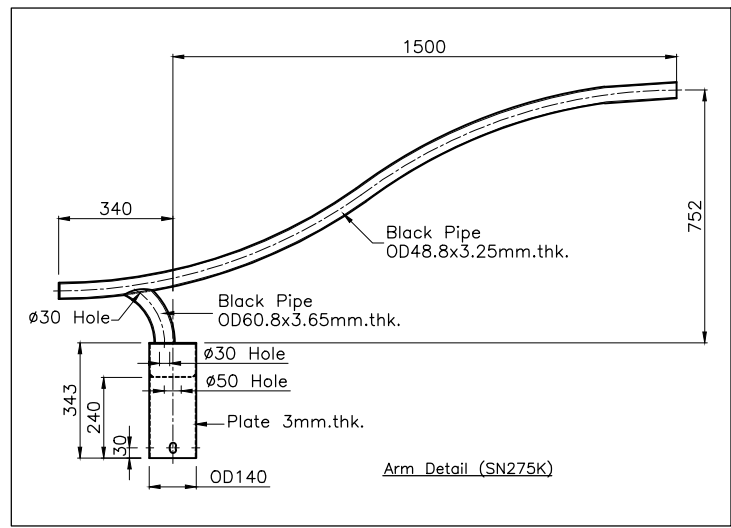
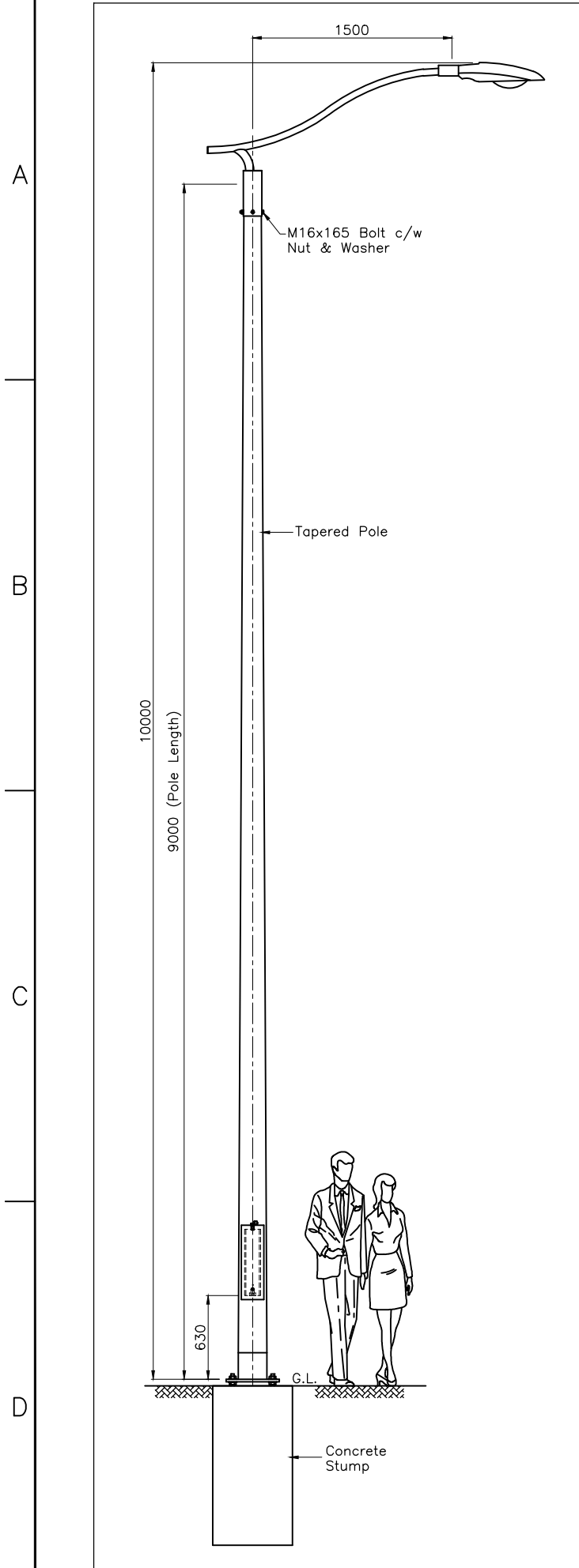
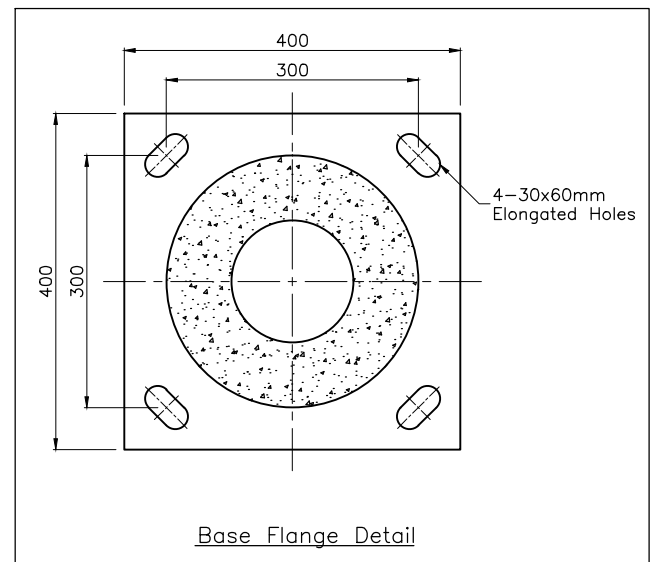
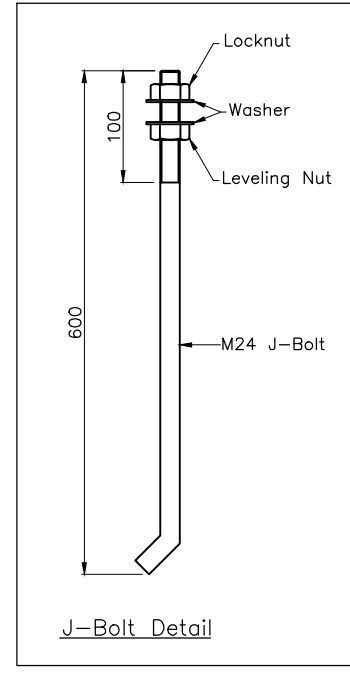
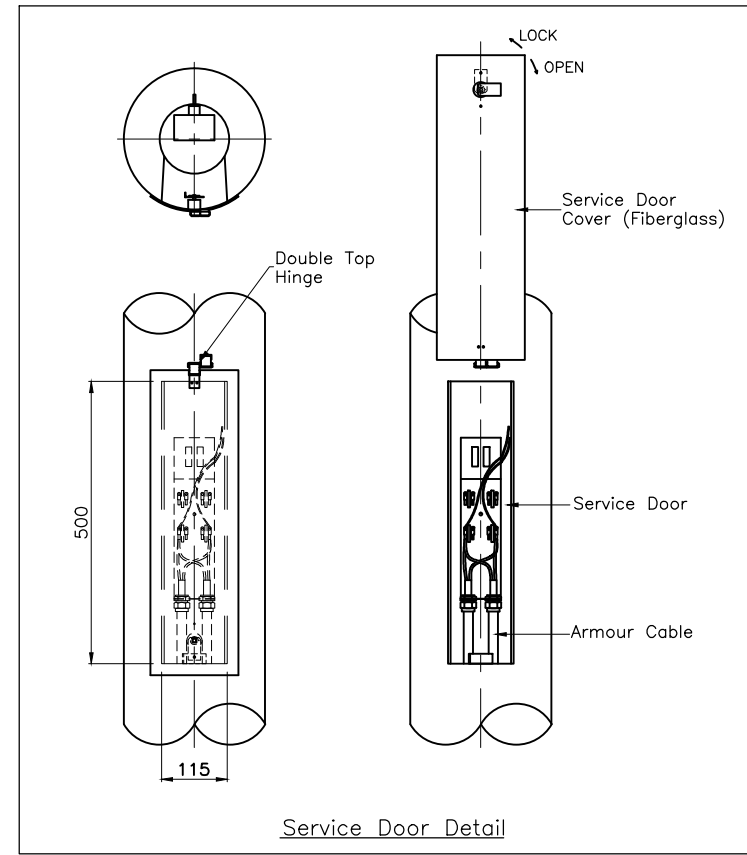
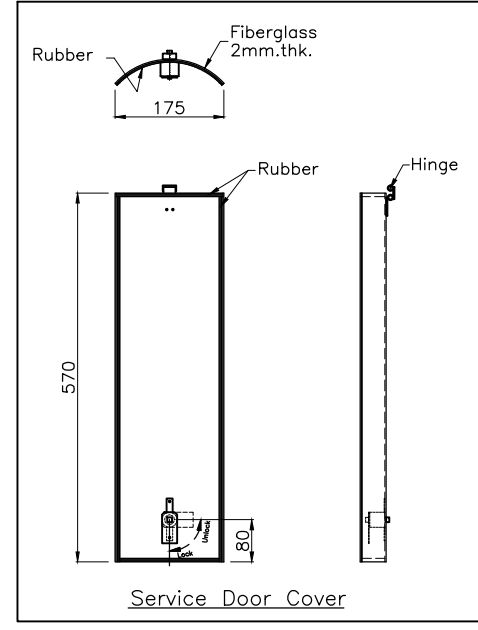


Rev. No.	Revision Note	Date



- POLE SPECIFICATION**
- Design Conditions
 - Basic Wind Speed : 35m/s
 - Standards
 - Pole Design : JIS A 5309
 - Material : Concrete Gred 50(50N/mm²)
: P.C. Wire Shall Conform To JIS 3536
: N.T. Wire/Reinforcement Bar Shall Conform to JIS G 3532
: Spiral Wire Shall To JIS G 3532
 - FINISHING
 - Cement Color (Natural)
 - Any PU Color Coating
 - SERVICE DOOR
 - Fibreglass (approved by JKR)
 - LAMP HOLDER
 - Hot Dip Galvanised (BS 729:1971)
 - LUMINAIRE
 - c/w 150W HPSV Lamp & Gear
 - FASTENER
 - Screws : Stainless Steel 304/HDG
 - Grounding J-Bolt : Hot Dip Galvanised (BS 729:1971)
 - STRUCTURAL CONSTRUCTION
 - Welding : Electric Mig Welding



Taper : 1/100

PCI PMW CONCRETE INDUSTRIES SDN. BHD. (692167-W)		Lot 133077 Jalan Lahat, Tel : +(6) 05-3219022	
		Bukit Merah Industrial Estate, Fax : +(6) 05-3218070	
		31500 Lahat, Perak, Malaysia	
DRAWN BY : ajay	DATE : 15 Mar. 2013	SCALE : 1/45	PAPER SIZE : A3
CHECKED BY : S.F.Wong	DATE : 15 Mar. 2013	SHEET	MATERIAL
APPROVED BY : S.F.Wong	DATE : 15 Mar. 2013		
PROJECT TITLE : Round Tapered Pole 9.0m (Flange Type)		PART NAME : Pole with Single Arm (SN275K)	
		DWG.NO : PCI/RTP9(FT)-PSA/P-310-01-13	